

SMART Board™ Interactive Whiteboard

Specifications – Model 560/580

Physical Specifications

		560	580
Size	Interactive Whiteboard	50 1/2" W × 41" H × 5 3/4" D (128.3 cm × 104.1 cm × 14.6 cm)	60" W × 48 1/4" H × 5 3/4" D (152.4 cm × 122.6 cm × 14.6 cm)
	Active Screen Area	48" W × 36" H (121.9 cm × 91.4 cm) 60" diagonal (152.4 cm)	57 1/2" W × 43" H (146.1 cm × 109.2 cm) 72" diagonal (182.9 cm)
	Shipping Carton	55" W × 45" H × 7" D (139.7 cm × 114.3 cm × 17.8 cm)	65" W × 52" H × 7" D (165.1 cm × 132.1 cm × 17.8 cm)
Weight	Interactive Whiteboard	29 lb. 10 oz. (13.5 kg)	41 lb. 3 oz. (18.7 kg)
Shipping Weight	Interactive Whiteboard and Carton	45 lb. (20.4 kg)	56 lb. (25.4 kg)

All dimensions +/- 1/8" (3.2 mm). All weights +/- 2 lb. (0.9 kg).

Standard Features

Software	SMART Board software and Notebook™ software. Free software upgrades are available at www.smarttech.com/support/software/index.asp .
Pen Tray	Optical sensors in the pen tray detect when a pen or the eraser is lifted from the tray. LEDs show the active tool.
Pens and Eraser	Black, blue, red and green Whisper-tip™ pens and an eraser
Resolution	Touch resolution is approximately 2000 × 2000
Screen Surface	Extremely durable, hardcoat polyester finish that reduces reflection and glare. The optional OptiPro™ surface is specifically designed for use with high-lumens projectors and is not intended for use with dry-erase markers.
Digitizing Technology	Two resistive sheets separated by an air gap
Frame Finish	Textured, graphite-gray plastic surface
Wall-Mount Bracket	Supports the interactive whiteboard when mounted to a wall
Computer Connection	Unless otherwise specified, a 21'6" (6.6 m) SMART USB/Serial/Power adapter cable is included
Power Requirements	Power is obtained from the computer directly through the SMART USB adapter cable for both Windows® and Macintosh computers. Power consumption is less than 5 watts.
Certifications	CSA (Canada/U.S.)/CE
Warranty	Two-year limited equipment warranty with an additional three years free of charge upon registration

NOTE: A digital projector is *not* included with these models of SMART Board interactive whiteboards. To take advantage of all interactive features, you must integrate a digital projector.

Computer Requirements

Windows Operating Systems	Pentium® 150 MHz processor (450 MHz or faster recommended) 128 MB of RAM (256 MB recommended) Available powered USB or serial port Approximately 160 MB of free hard disk space for full installation Windows NT® 4.0 (SP6), Windows 98 operating system or later Microsoft Internet Explorer 6.0 or later Macromedia® Flash® player version 7.0.19 or later (recommended)
Requirements for SMART Video Player	Pentium 450 MHz processor (700 MHz or faster recommended) Windows 98 operating system or later. Does not run on the Windows NT operating system. Microsoft DirectX® 8.1 End-User Runtime or later
Macintosh Computers	400 MHz processor (800 MHz or faster recommended) 128 MB of RAM (256 MB recommended) Mac OS X version 10.1.5 or later (with Java™ version 1.3.1 update 1 or later) 50 MB of free hard disk space for minimum installation, 115 MB for full installation with Gallery collections Available powered USB port NOTE: SMART Board software is not compatible with versions 10.3.0, 10.3.1 or 10.3.2 of the Mac OS X operating system. To use the handwriting recognition feature, you must have Mac OS X version 10.3.3 or later.

Storage and Operating Specifications

Storage	-40°F to 95°F (-40°C to 35°C) with up to 80% humidity non-condensing
Operation	41°F to 95°F (5°C to 35°C) with up to 80% humidity non-condensing

SMART Order Number

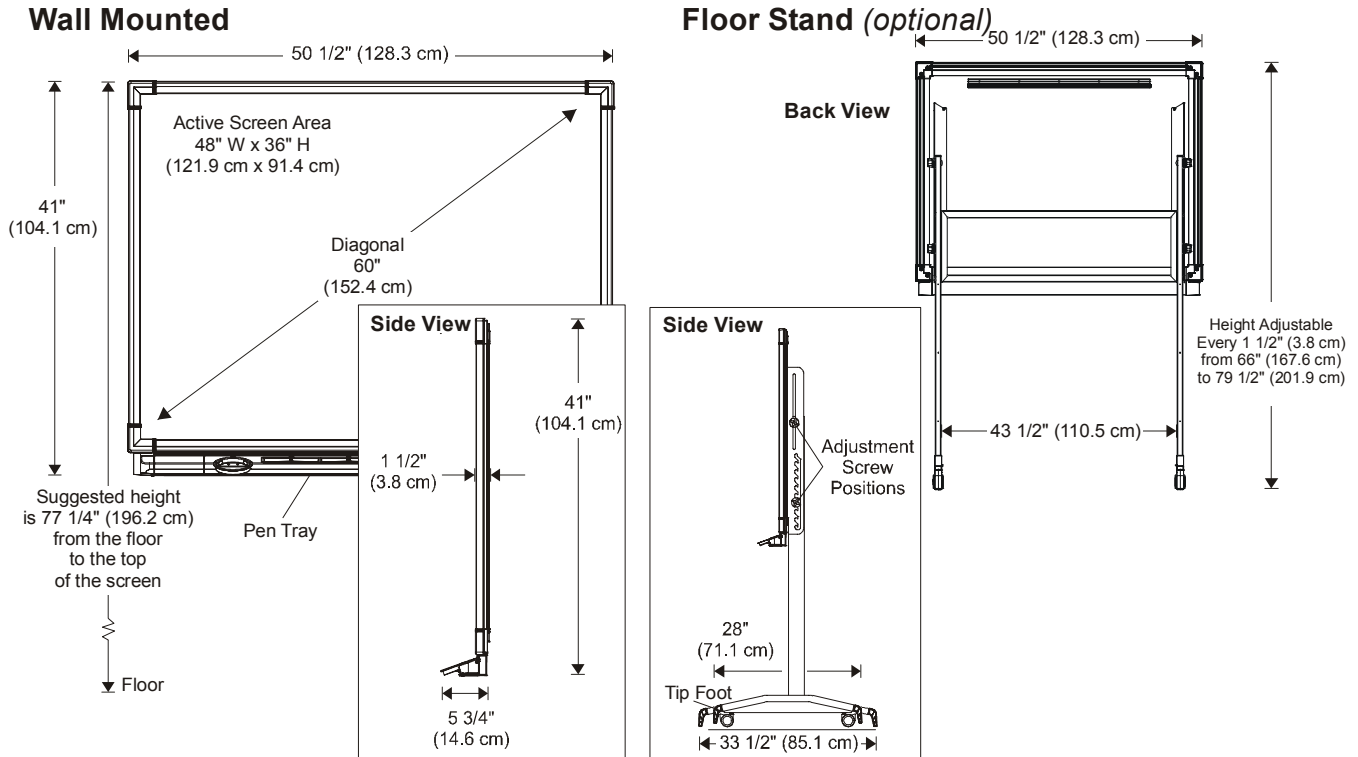
SB560	60" (152.4 cm) diagonal SMART Board interactive whiteboard
SB580	72" (182.9 cm) diagonal SMART Board interactive whiteboard
FS570	Optional floor stand for either model
PMWT560	Projector support for 60" (152.4 cm) diagonal SMART Board interactive whiteboard
PMWT580	Projector support for 72" (182.9 cm) diagonal SMART Board interactive whiteboard
93-059-01	Optional 20' (6.1 m) straight-through DB9F-to-DB9F serial cable. Must be ordered separately for systems that don't support USB connections.

SMART Technologies Inc.
1207 – 11 Avenue SW, Suite 300
Calgary, AB T3C 0M5
CANADA
Phone +1.403.245.0333 Toll Free 1.888.42.SMART (Canada/U.S.)
support@smarttech.com www.smarttech.com

SMART
Technologies

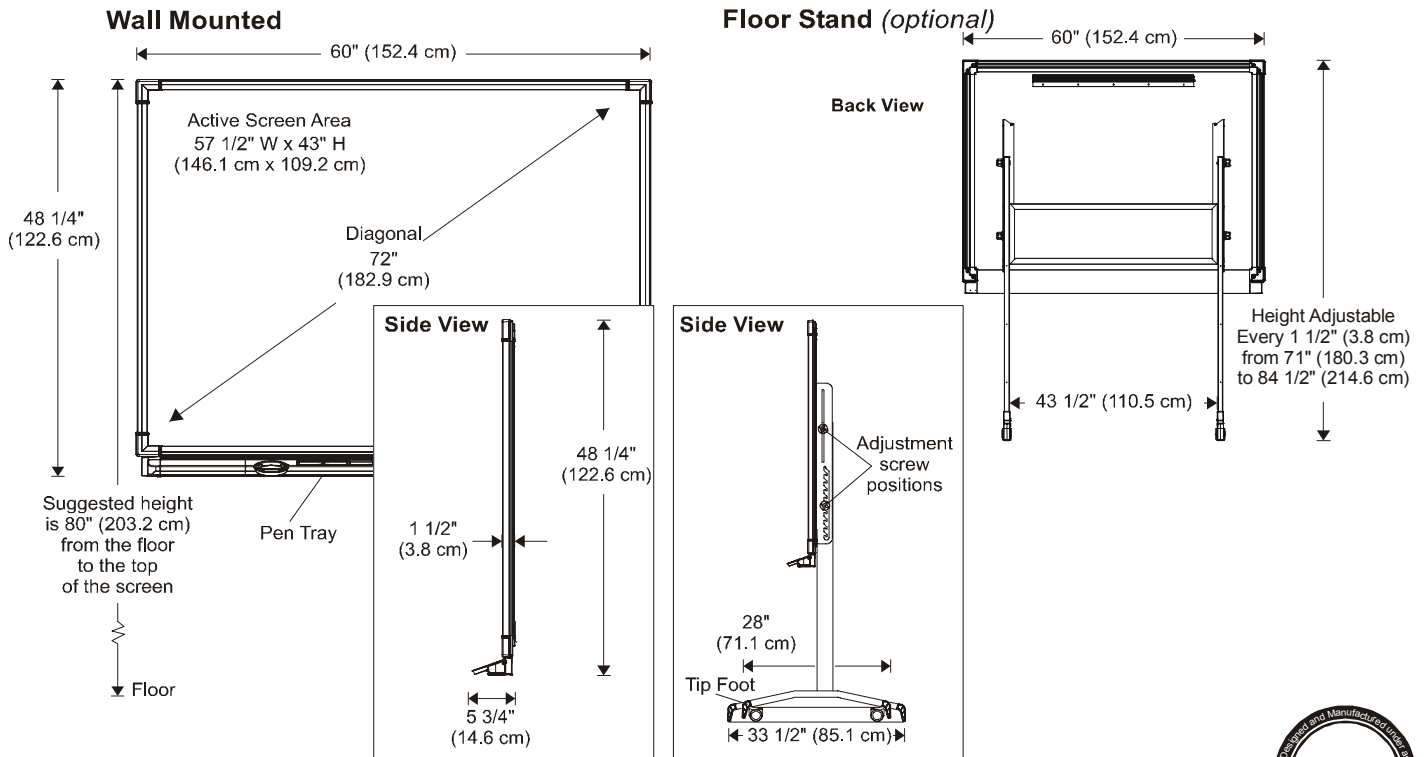
SMART Board™ Interactive Whiteboard

Specifications – Model 560



All dimensions +/- 1/8" (0.3 cm)

Specifications – Model 580



All dimensions +/- 1/8" (0.3 cm)

