

PLEASE THINK BEFORE YOU PRINT

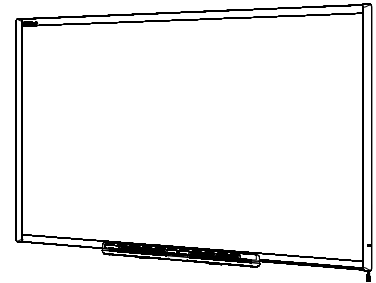
## Specifications

# SMART Board™ Interactive Whiteboard

## Model 685

### Physical Specifications

<b>Size</b>	77 1/2" W × 49 1/2" H × 5 1/8" D (196.9 cm × 125.7 cm × 13 cm)
<b>Active Screen Area</b> (maximum interactive, projected image)	74" W × 46 1/8" H (188 cm × 117.2 cm) 87 1/8" (221.3 cm) diagonal, 16:10 aspect ratio
<b>Weight</b>	42 lb. (19.1 kg)
<b>Shipping Size</b>	
1 unit	54" W × 86 1/4" H × 5 1/2" D (137.2 cm × 219.1 cm × 14 cm)
8 units on pallet	55" W × 90 3/4" H × 45" D (139.7 cm × 230.5 cm × 114.3 cm)
<b>Shipping Weight</b>	
1 unit	63 lb. (28.6 kg)
8 units on pallet	524 lb. (237.7 kg)



All dimensions +/- 1/8" (0.3 cm). All weights +/- 2 lb. (0.9 kg)

Extraordinary made simple™

**SMART**™

## Standard Features

<b>Software</b>	SMART Notebook software included. See the <a href="#">SMART Notebook software specifications</a> for a complete list of system requirements. Software upgrades are available at <a href="http://www2.smarttech.com/st/en-US/Support/SBS/">www2.smarttech.com/st/en-US/Support/SBS/</a> .
<b>Pen Tray</b>	Optical sensors in the pen tray detect when a pen or eraser is lifted from the tray. LEDs show the active tool.
<b>Pens and Eraser</b>	Black, blue, red and green pen tray pens and a rectangular eraser
<b>Resolution</b>	Touch resolution is approximately 4000 × 4000.
<b>Screen Surface</b>	The hard-coated polyester surface is tear proof, optimized for projection, compatible with dry-erase markers and easily cleaned with whiteboard cleaner.
<b>Digitizing Technology</b>	Resistive
<b>Frame Finish</b>	Dark gray (approximates Pantone® Charcoal Gray 18-0601 TPX Home and Fashion guide) and light gray (approximates Cool Gray 6 Formula guide solid matte)
<b>Wall-Mount Bracket</b>	2 × 32" (81.3 cm) wide, spaced 2" (5.1 cm) apart, with ten screws and drywall anchors to support the wall-mounted interactive whiteboard
<b>Computer Connection</b>	16' (5 m) USB 2.0 cable
<b>Power Requirements</b>	Power is obtained from the computer directly through the USB cable for Windows®, Mac and Linux® computers. Power consumption is less than 1.5 W (300mA at 5V).
<b>Certifications and Compliance</b>	CSA (U.S./Canada), CE, CB (TUV), China EIP, EU RoHS, WEEE, VCCI
<b>Warranty</b>	Five-year limited equipment warranty upon registration. See warranty document for details.

### NOTE

A digital projector is not included with this model of SMART Board interactive whiteboard. To take advantage of all interactive features, you must integrate a 16:10 aspect ratio digital projector.

## Storage and Operating Specifications

<b>Storage</b>	-40°F to 120°F (-40°C to 50°C)
<b>Operation</b>	41°F to 95°F (5°C to 35°C) with up to 80% humidity non-condensing

## SMART Order Number

<b>SB685</b>	87 1/8" (221.3 cm) diagonal SMART Board interactive whiteboard
--------------	--

## Optional Accessories

Part Number	Description	NA	UK	EU	AU
<b>RS232-XX</b>	RS-232 to USB conversion module that allows a serial connection to the interactive whiteboard as an alternative to USB	✓	✓		
<b>WC6-XX</b>	Wireless Bluetooth® connection between the SMART Board interactive whiteboard and the computer	✓	✓		
<b>SBA-XX</b>	USB audio system with two 15 W speakers that mount to the interactive whiteboard or wall	✓	✓		✓
<b>SYSON6-XX</b>	SystemOn expansion module wakes up the computer and turns on the projector with one button press	✓	✓		
<b>USB-GW</b>	GoWire™ SMART Board software auto-launch USB cable				
<b>USB-XT</b>	16' (5 m) USB active extension cable				
<b>CAT5-XT</b>	USB to Cat 5 cable extender set				
<b>RPEN-ER</b>	Replacement set of four pen tray pens (black, red, blue and green) and rectangular eraser				
<b>RPEN</b>	Replacement set of four pen tray pens (black, red, blue and green)				

### NOTE

Part numbers ending in XX have power supplies for those countries or regions, as indicated by ✓ in the columns to the right. When ordering, substitute the XX in the part number with the country code as follows:

NA = U.S. and Canada

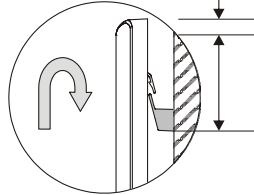
UK = United Kingdom

EU = European Union

AU = Australia

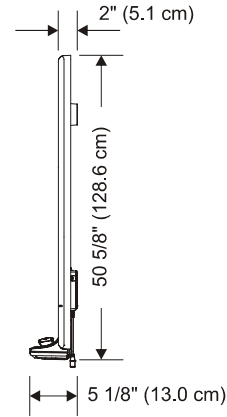
## Physical Dimensions

Leave at least 5/8" (1.6 cm) headroom to wall mount the interactive whiteboard.

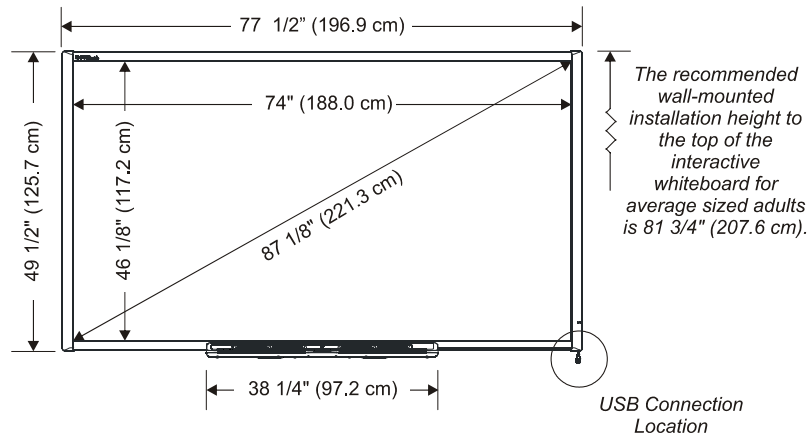


The distance from the bottom of the wall-mount bracket to the top of an installed interactive whiteboard is 4 1/4" (10.8 cm).

**Wall-Mounted  
Cut Away View**



**Wall-Mounted  
Side View**



**Wall-Mounted  
Front View**

